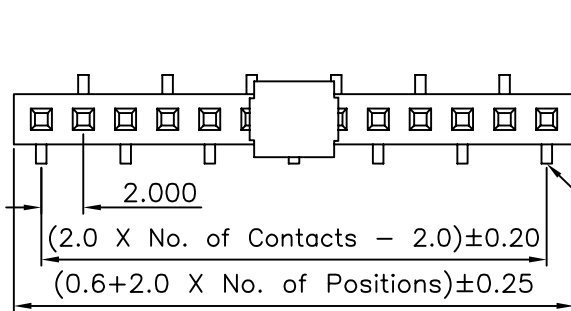
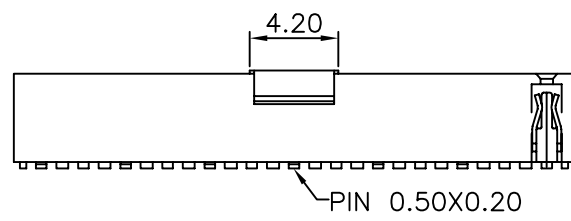


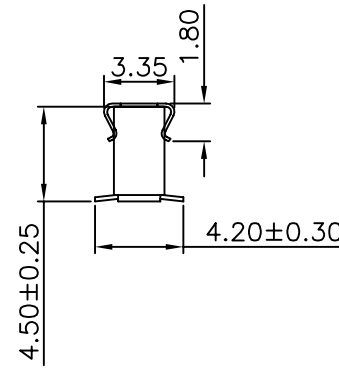
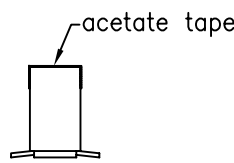
NO. 1  
B1 Type



B2 Type  
NO. 1



X	NOTE
5mm	03~25pins
10mm	26~40pins



### SPECIFICATIONS

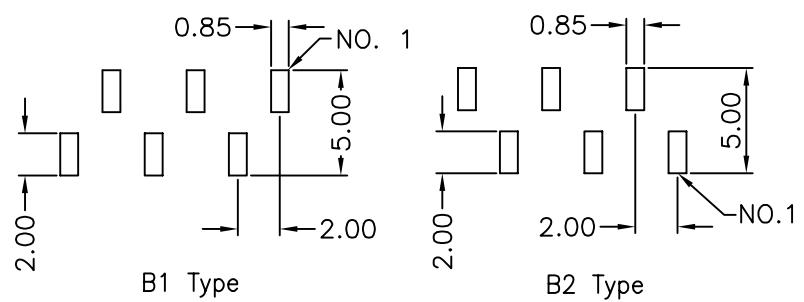
- Current Rating: 2 Amps
- Insulator Resistance: 1000 Megohms min.
- Contact Resistance: 20 m ohms max.
- Dielectric withstanding: AC 500V
- Operating Temperature: -40°C~+105°C
- Contact Material: Phosphor Bronze
- Insulator Material: Polyester, UL 94V-0
- ◎Standard: Nylon-6T
- Finish: Gold Plating
- ◎Standard: Gold Flash all over

SPTFY-XX-BX-XX-FG

Number of Contacts — XX  
Pin 1 Location (see drawing) — BX  
Contact Plating — XX  
FG: High Temp RoHS Compliant (Nylon-6T or Greater)

Definition	Code
◎ Tin plated:	VA
◎ Gold plated:	
flash VB 10μ"	VE
3μ" VC 15μ"	VF
5μ" VD 30μ"	VJ
◎Standard:	VB

### RECOMMENDED P.C.B LAYOUT



APTOS Technology CONFIDENTIAL  
This document, and all information it contains, are the confidential, proprietary property of APTOS Technology. Disclosure, duplication or distribution of this document, or any information it contains, in whole or part, without prior written permission from APTOS Technology is strictly prohibited

GENERAL TOLERANCE UNLESS OTHERWISE SPECIFIED	
XXX. ± X	.XX ± 0.25
XX. ± X	.XXX ± 0.13
X. ± X	X' ± 5'
.X ± 0.38	.X' ± 2'
REV. A	DRAWN 10/29/10
DATE 10/29/10	CHECKED
SCALE As shown	APPROVED
UNIT mm	SIZE A4



SPTFY Series  
2.00 mm Female SMT Header  
PRODUCT NO. SPTFY-XX-BX-XX-\*  
FILE NAME: SPTFY LF APD.DWG